

**Series 6, built-under fridge, 82 x 60 cm, soft close flat hinge  
KUR15ADF0**



**The built-under refrigerator with MultiBox: ideal storage location for your fresh fruits and vegetables.**

- **LED lighting:** Perfect lighting of your fridge for a clear view of your groceries.
- **Multi Box XXL:** extra-large drawer for your fruit and vegetables.

**Technical Data**

Energy Efficiency Class: F  
 Average annual energy consumption in kilowatt hour per year (kWh/a): 114 kWh/annum  
 Sum of volume of frozen compartments: 0 l  
 Sum of volume of chill compartments: 137 l  
 Airborne acoustical noise emissions : 38 dB(A) re 1 pW  
 Airborne acoustical noise emission class: C  
 Built-in / Free-standing: Built-in  
 Door panel options: Possible but accessory  
 Height: 820 mm  
 Width of the appliance: 598 mm  
 Depth of the product: 548 mm  
 Required niche size for installation (HxWxD): 820 x 600 x 550 mm  
 Net weight: 34.1 kg  
 Connection Rating: 90 W  
 Fuse protection: 10 A  
 Door hinge: Right reversible  
 Voltage: 220-240 V  
 Frequency: 50 Hz  
 Approval certificates: CE, Morocco, Ukraine, VDE  
 Length electrical supply cord: 230 cm  
 Number of compressors: 1  
 Number of independent cooling systems: 1  
 Interior ventilator: No  
 Reversible Door Hinge: Yes  
 Number of Adjustable Shelves in fridge compartment: 2  
 Shelves for Bottles: No  
 EAN code: 4242005142866  
 Brand: Bosch  
 Product name / Commercial code: KUR15ADF0  
 Product category: Refrigerator  
 Frost free system: No  
 Installation typology: Built-under  
 Included accessories: 1 x egg tray



**Included accessories**

1 x egg tray



## **Series 6, built-under fridge, 82 x 60 cm, soft close flat hinge KUR15ADF0**

**The built-under refrigerator with MultiBox:  
ideal storage location for your fresh fruits  
and vegetables.**

---

### **Performance and consumption**

- can be built under/between, fully integr

### **Design and Styling**

- Ventilation in plinth, no cut-out in the worksurface necessary
- Easy clean interior

### **Convenience & Safety**

- Electromechanical temperature control
- Automatic defrost in fridge section

### **Fridge Compartment**

- 3 door bin(s) high
- Bottle holder in x-deep door tray
- LED interior light

### **Freshness System**

- 2 MultiBox drawers - Transparent drawers with a corrugated bottom, ideal for storing fruits and vegetables.

### **Technical Information**

- Height adjustable feet in the front
- Door right hinged, reversible
- Connected load: 90 W
- Nominal voltage: 220 - 240 V

### **Dimensions**

- Niche Dimension (H x W x D): 82.0 cm x 60.0 cm x 55.0 cm
- Appliance Dimensions ( H x W x D): 82 cm x 59.8 cm x 54.8 cm

### **Accessories**

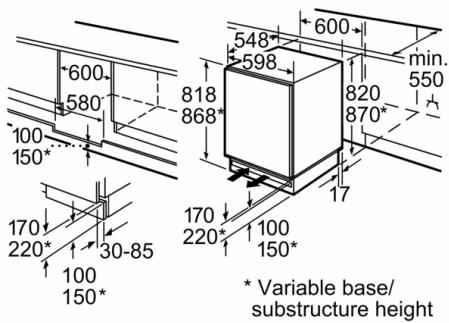
- Accessories: 1 x egg tray

### **General Information**

#### **Environment and Safety**

- EU19\_EEK\_D: F
- Total Volume : 137 l
- Net Fridge Volume : 137 l
- Net Freezer Volume : 0 l
- Annual Energy Consumption: 114 kWh/a
- Climate Class: SN-ST
- Noise Level : 38 dB , EU19\_Noise emission class\_D: C

## Series 6, built-under fridge, 82 x 60 cm, soft close flat hinge KUR15ADF0

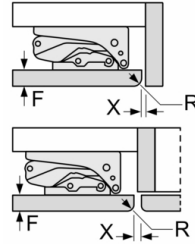


Space for electrical connection next to the appliance on the left or right-hand side.  
Ventilation space in the base.

Measurements in mm

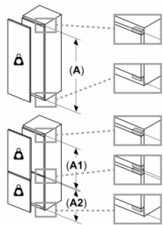
measurements in mm

Recommended gap dimensions for flat hinges



F	R	X
16-19	0-3	2.5
20	0-1	3
	2-3	2.5
21	0-1	3
	2-3	2.5
22	0	4
	1	3.5
	2-3	3

The gap dimensions recommended in the table must be adhered to in order to ensure that appliance doors do not collide with anything when they are opened, and to avoid causing damage to kitchen units.



### Maximal permissible weight of the unit fronts

Fitted unit fronts that exceed the permissible weight may cause damage and result in functional impairment of the hinges

**A:** Weight  
**A:** Appliance door height including hinges in mm  
**B:** Undamped hinge, unit front in kg  
**C:** Damped hinge, unit front in kg

A	B	C
1500-1750	22	22
720-1400	19	19
A1	15	19
A2	15	19